

F24S1-□ 2 G□ □ □ F □ 1 003



A

B

C

D

A

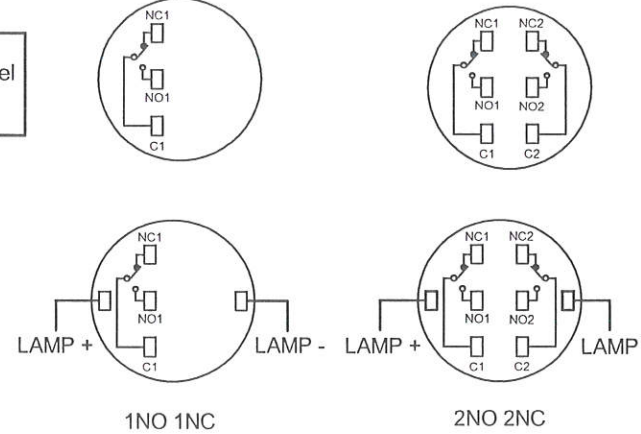
B

C

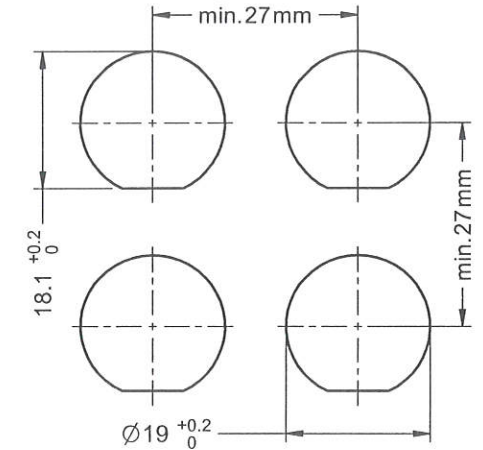
D

- Direction Function— 1:with fixed position
- : Material Finish— S: Stainless Steel
P: Brushed Stainless Steel
A: Aluminum
B: Dark Aluminum
- : LED Color— N: None
A: Amber
B: Blue
G: Green
R: Red
W: White
- :LED Voltage— 0: None
2: 6V
3:12V
4:24V
- :Contacts— 3:1NO 1NC
4:2NO 2NC
- G:Gold-Plated
- : Function— 1: Momentary
2: Maintained

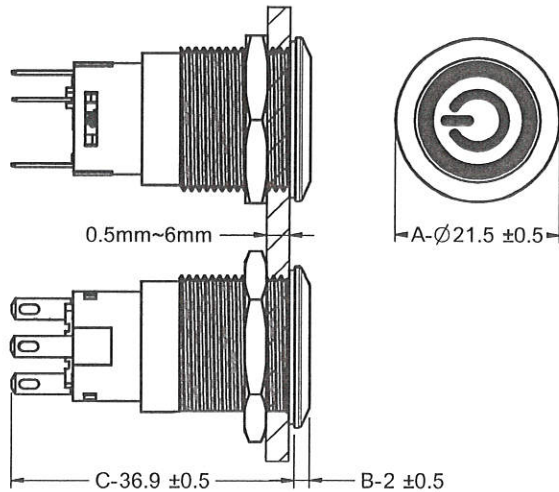
Contact Diagram



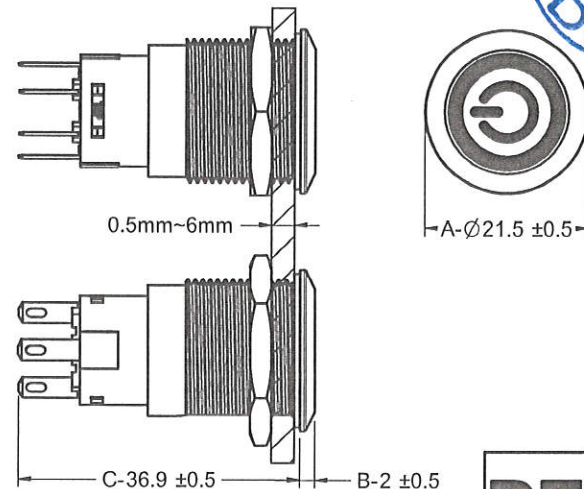
Mounting Dimensions



Dimensions for 1NO1NC



Dimensions for 2NO2NC



Contact Ratings					
Rated Insulation Voltage(Ui)		250 V			
Rated Thermal Current (Ith)		5 A			
Operating Voltage(AC/DC) (Ue)		12V	30V	125V	250V
AC 50/60 Hz	Resistive Load (Ie)	5.0A	5.0A	4.0A	2.0A
	Inductive Load (Ie)	5.0A	5.0A	3.0A	1.5A
DC	Resistive Load (Ie)	1.0A	1.0A	0.32A	0.16A
	Inductive Load (Ie)	1.0A	1.0A	0.22A	0.11A

- Terminal : Solder
- Mechanical lifetime : >0.1 million operations
- Electrical lifetime : >50,000 operations
- Dielectric Strength : 1500V AC · 1minute
- Insulation Resistance : 100MΩ · 1min(500V DC megger)
- Panel thickness : 0.5mm~6mm
- Degree of protection : IP67
- Operating temperature : -25°C to 50°C
- Contact resistance : 50mΩ (initial)

A
REV.

DECA SwitchLab Inc.			PART NAME	UNIT	SCALE
DESIGN	CHECK	APPROVE	F24S1-x2GxxxFx1003	MM	
DATE	DATE	DATE	DRAWING NO.		SHEET
2021/06/25	2021/06/25	2021/06/25	F24S1-x2GxxxFx1003		1/1